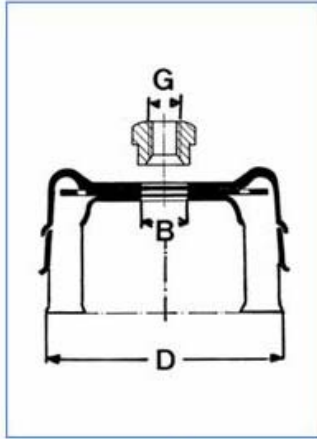


Cup brushes, knotted wire



Area of application particularly

Aggressive tools for heavy cleaning jobs and brushing large surfaces. The removable bridle controls the flexibility of the brush.

Dimensions [mm]		Arbor hole [mm]		Thread	max. min ⁻¹	Pack. Qty.	Steel wire
D	T	B	G	0,50 mm Item No.			
80	20	22,2			8.500	1	0002-607 153
80	20			M14x2,0	8.500	1	0002-608 153
80	20			5/8"x11NC	8.500	1	0802-608 153
100	20	22,2			8.500	1	0002-607 154
100	20			M14x2,0	8.500	1	0002-608 154
100	20			5/8"x11NC	8.500	1	0802-608 154
120	20	22,2			6.500	1	0002-607 155
120	20			M14x2,0	6.500	1	0002-608 155
120	20			5/8"x11NC	6.500	1	0802-608 155

Ташев-Галвинг ООД
www.tashev-galving.com